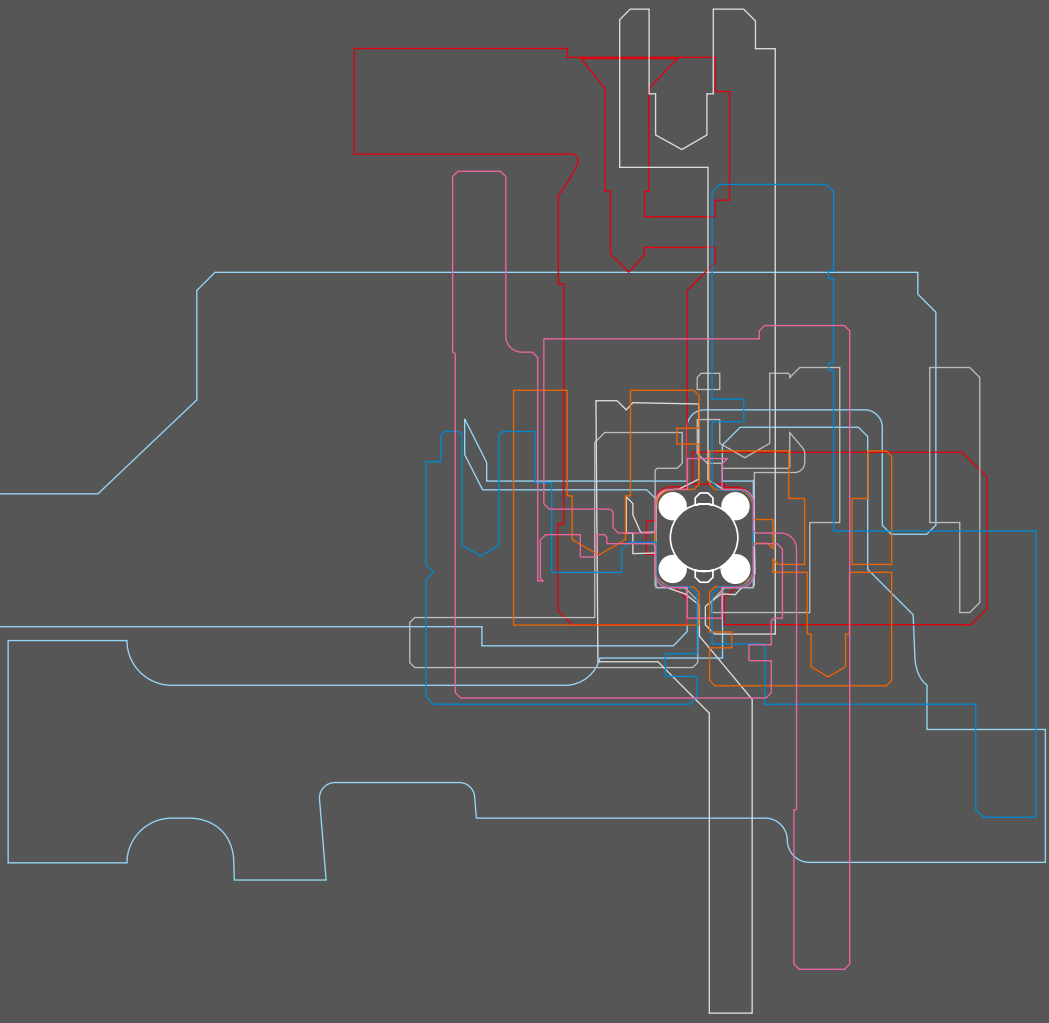


Light Bearings for Innovation



1949 - 2019

70

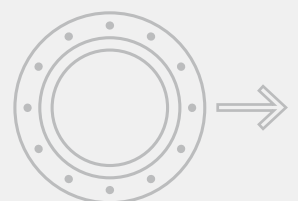
Years of Innovation.



From the Swinging Fifties...

1949. Dreams. Ideas. Targets. And the courage to go his own way. For our company founder Erich Franke the step into self-employment was a risk. Although there was a spirit of optimism everywhere and many famous companies found their origins back then, the risk was still great. With a handful of loyal employees, self-developed means of production and great technical know-how, Erich Franke succeeded 70 years ago as an entrepreneur.

The Wire Race Bearing turned out to be an ingenious product idea and soon found great popularity. At that time, as well as nowadays, innovative designers took advantage of the freedom of design and unlimited choice of materials for the enclosing structure of our bearings, developing space-saving solutions that exactly fit their needs.





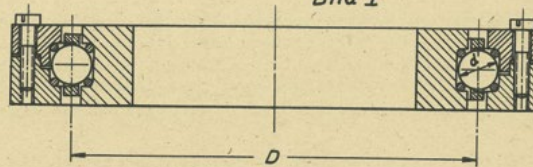
...to the decade of Industry 4.0

2019. Globalization. Digitization. Man-machine collaboration. The world is changing faster and faster. Meanwhile, more than 260 people work in the Franke headquarters in Aalen. Franke Wire Race Bearings and linear systems are available worldwide through numerous agencies and partners.

As a modern company, we drive development and customer service to a new level. Our products and services are adapted to the needs of our customers. Value streams and defined processes ensure efficient production processes and consistently high quality. Franke has developed into an innovative, flexible and efficient partner for customers all over the world. Together we find new solutions for movement tasks daily.

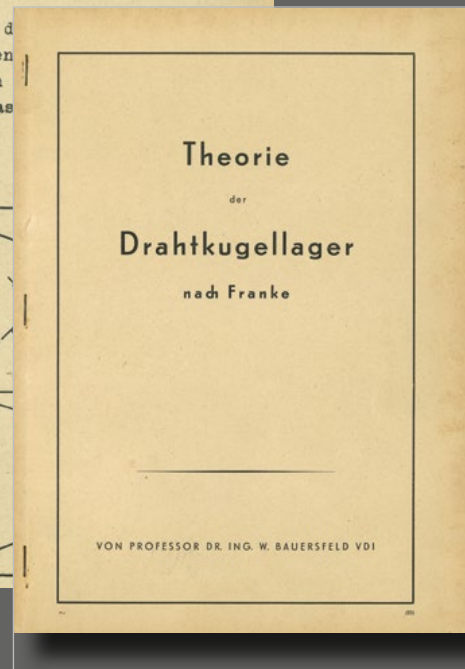
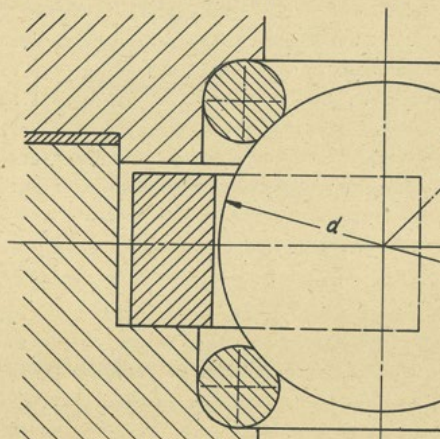
1. Aufbau und Eigenschaften.

Bild I



Die Drahtkugellager nach Franke sind Kugellager, deren Laufbahnen aus hochwertigen Federstahl-drahten bestehen, die in passende Ausdrehungen der inneren und äußeren Lagerringe eingelegt werden. (Bild I). Dabei bleiben die Drahtringe offen; ein Zwischenraum zwischen den Drahtenden von 0,5 - 2 mm ist unschädlich.

Die Tragfähigkeit der Drahtkugellager beruht auf der Belastung umlaufender Kugeln die Drahte an den Enden plastisch deformieren, daß Laufbahnen von (ca. 1,5 mm) entstehen, die dem Kugelradius angepasst sind.



From possibilities without limitations...

Searching for a space-saving bearing for an optical device, **Erich Franke** developed the **Wire Race Bearing** in 1936. He describes his invention as „a ball bearing with a particularly small space requirement, which can easily meet the highest demands on accuracy of rotating one housing part on another.“

Under the name of Franke & Heydrich KG he established his own company in **1949**.



...to the limits of what is possible.

In **2019**, Franke offers Wire Race Bearings with laser printed aluminum body parts that are **90% lighter** than conventional steel bearings. The basic principle of the Wire Race Bearing has been unchanged since the beginning and can be easily adapted to state-of-the-art technologies and manufacturing processes. In the future, too, Franke Wire Race Bearings will constantly redefine the limits of what is possible.





1949

Franke & Heydrich is founded and moves into the first production site in Aalen.

1936

Erich Franke invents the Wire Race Bearing.



1965

Egon Franke becomes managing director.



1956

New building for production and administration at the present company headquarters in the Obere Bahnstraße in Aalen.



1981

Gerhard Groz and Michael Helbig become new directors.



1977

The new Plant 2 at the Aalen site increases the capacity and consolidate the machining process in a new building.

1987

Franke GmbH is founded and takes over the operative business.



1997

The company is changing from a single- to a series-manufacturer of large bearing.

1930 1940 1950 1960 1970 1980 1990

No. of employees:

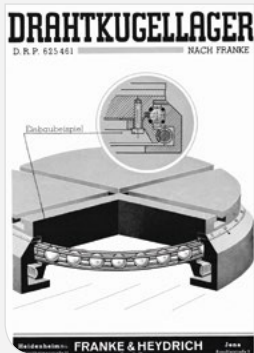
8

25

50

100

150



1949

A first product catalog is created showing Franke Wire Race Bearings.



1965

New bearings with housing parts made of aluminum are offered.

1968

Wire Race Bearings for knitting machines become the first big series business.



1987

The first catalog of the Franke GmbH is published and offers a large selection of standard bearing types.



1992

Especially quiet and precise bearings for computer tomographs are becoming a worldwide success.

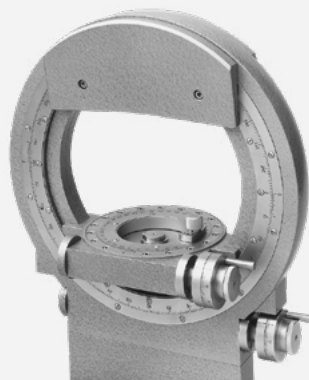
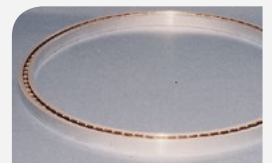


1956

Franke is exhibiting for the first time at the Spring Fair in Frankfurt. The booth is build in cooperation with the company Rothe Erde.

1972

The Franke principle of inserted wire raceways is being transferred to linear systems for the first time.



1985

Franke slim bearings are developed and complement the range of Wire Race Bearings.

1962

Precision equipment for X-ray and neutron measurement consolidate the reputation of the company as a specialist for special bearings.



1949 - 2019

70

Light Bearings
for Innovation

Innovation
Competence
Flexibility
Reliability



2001

The new plant 3 summarizes the production of the linear systems.

2004

Plant 4 is purchased and used for the assembly of bearings



2007

Daniel Groz und Sascha Eberhard become new managing directors



2017

Plant 5 increases the production area by 30%. Here, highly dynamic bearings are manufactured.



2009

Franke's trainings and customer care take place in the new communication center.



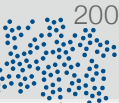
2012

Plant 2 is expanded. Space for the Franke Technicum with training center and R&D.

2019

Under the project name **Franke 2020** extensive measures are on their way in the areas of investment, organization and culture, in order to make the company fit for the future. Six digitization projects are in progress. Another production hall is being purchased and used to optimize the value streams in the company. The workforce has since grown to more than 260 employees.

2000

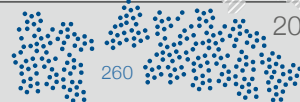


2010



200

2020

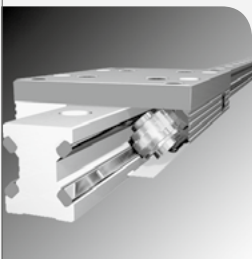


260



1995

The aluminum roller guide is introduced in numerous variants as a most lightweight and dynamic linear system.



2011

Franke Wire Race Bearings become ideal components for the rotation of solar trackers.



2010

Bearings with direct drive convince by compact design and dynamic movement.



2015

Bearings with housing parts made of 3D printing set new standards in terms of lightweight construction and individual design, even from lot size 1.

2020

With 28 representatives as well as two strong cooperation partners in USA and China, Franke takes care after customers from many branches all over the world.



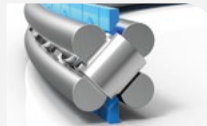
2007

Wire Race Bearings are constantly conquering new innovative fields of application. For example, in lightweight camera bodies made of carbon for aerial photography.



2013

Franke is exhibiting for the first time at the Hanover Fair.



2018

Roller bearings are available as bearing elements and as complete bearing assemblies.



2019

E-scooters are attractive components of urban mobility. Some manufacturers rely on hubless wheels with Franke Wire Race Bearings.

We are Franke.



Franke Bearings Ltd Unit 5/90
Berry Lane Longridge
Preston
PR3 3WH
Tel. +44 (0)1772 780200
sales@frankebearings.co.uk

www.frankebearings.co.uk

www.franke-gmbh.com



You Tube

